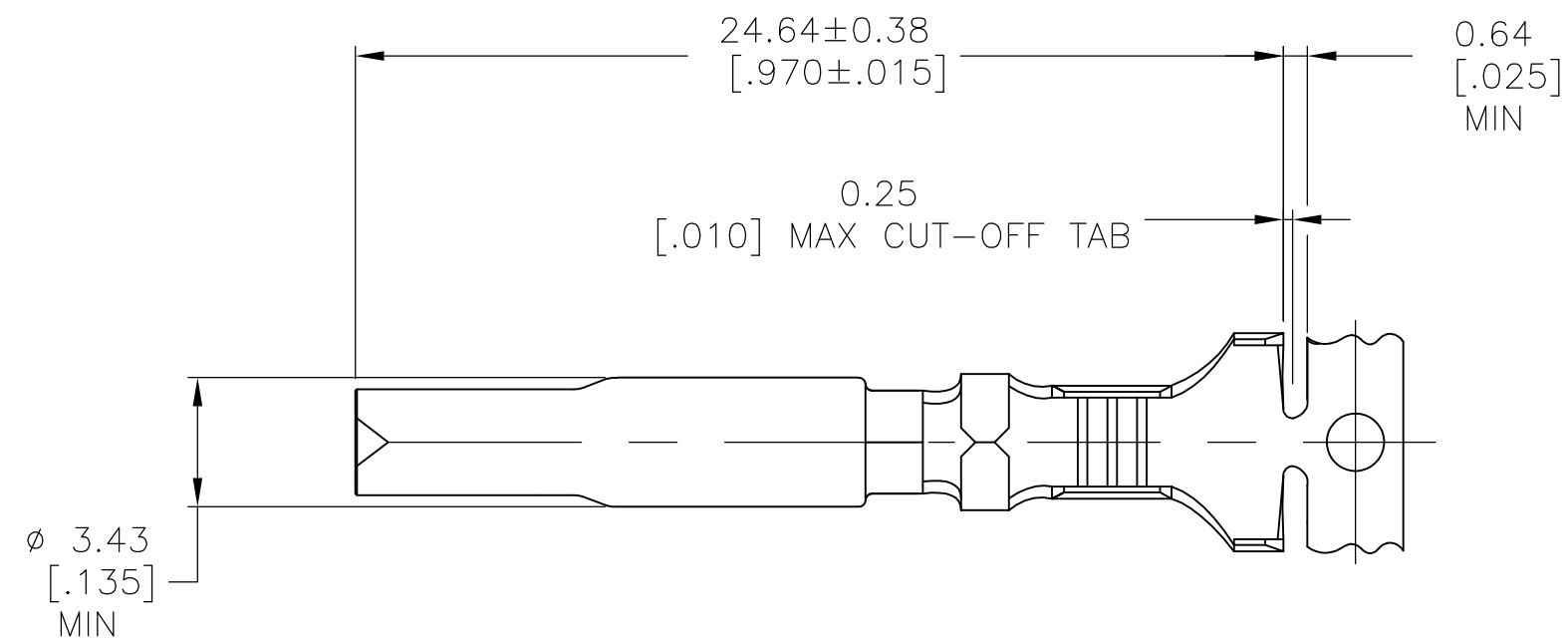
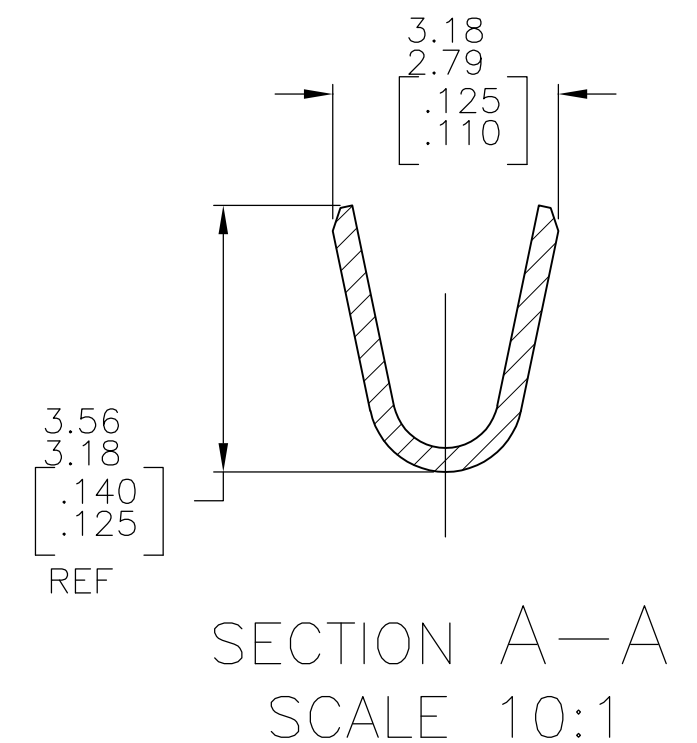
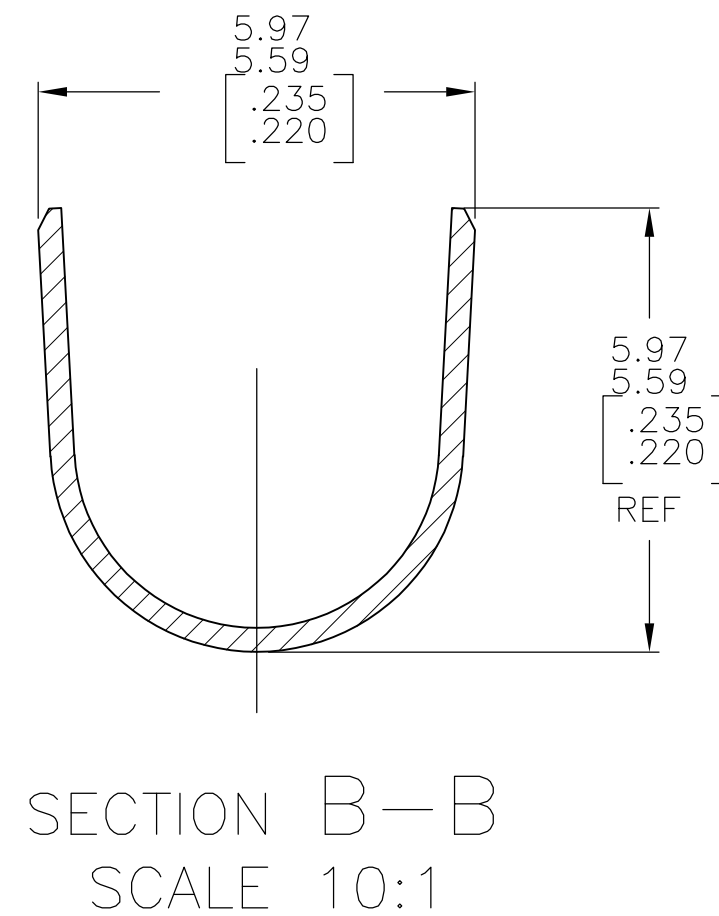
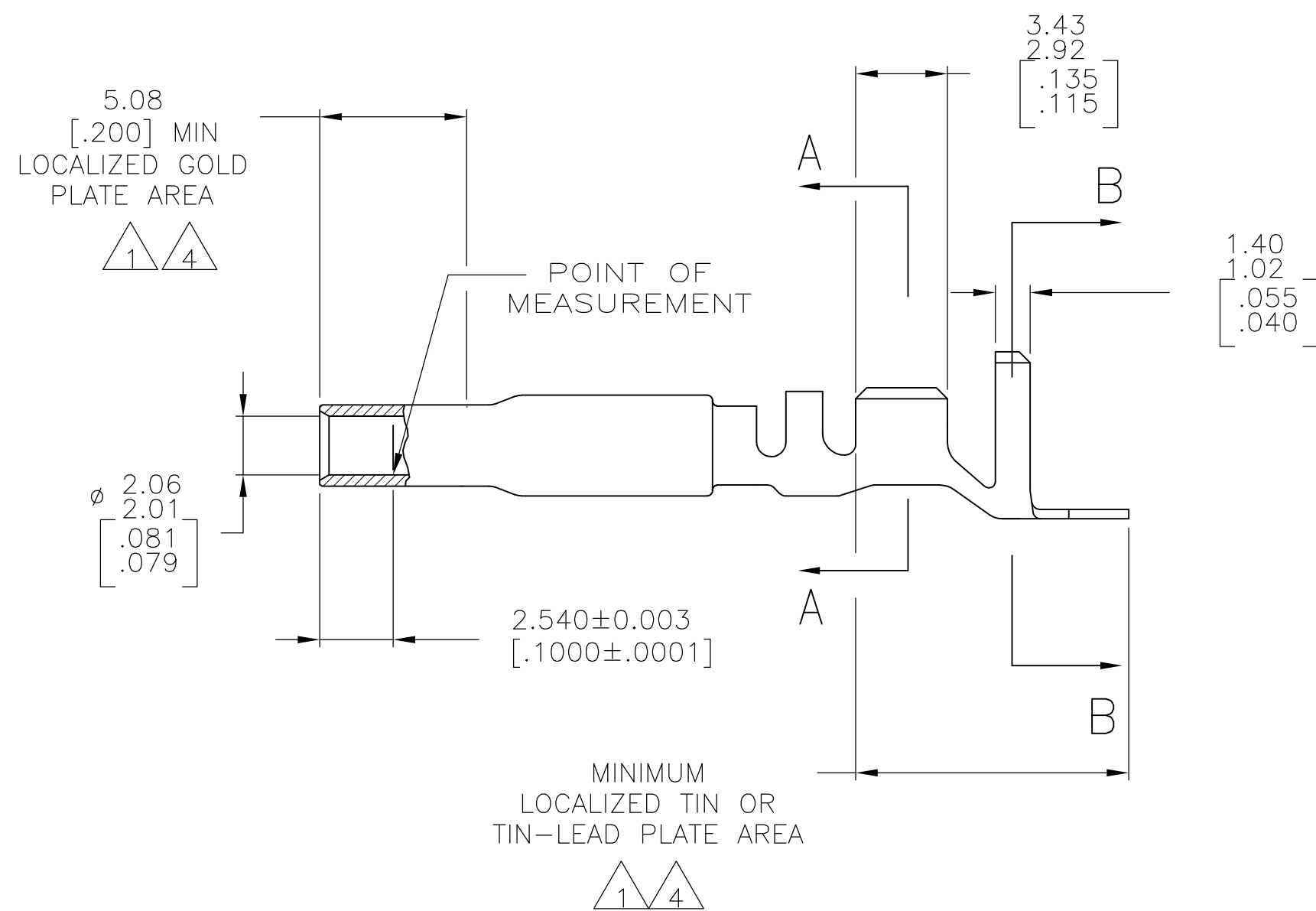


THIS DRAWING IS UNPUBLISHED. RELEASED FOR PUBLICATION
 © COPYRIGHT - By - ALL RIGHTS RESERVED.

| LOC | | DIST | | REVISIONS | | | |
|-----|-----|-------------|--|---------------------------|---------|--------|--|
| P | LTR | DESCRIPTION | | DATE | DWN | APVD | |
| CM | 00 | G1 | | REVISED PER ECO-11-004917 | 11MAR11 | RK HMR | |



- 1. 0.00076[.000030] MIN GOLD AT POINT OF MEASUREMENT IN THE LOCALIZED GOLD PLATE AREA, 0.00127[.000050] MIN TIN-LEAD IN TIN-LEAD PLATE AREA, 0.00127[.000050] MIN NICKEL UNDERPLATE ON ENTIRE CONTACT.
- 2. WIRE RANGE: .5-2mm² [20-14 AWG].
INSULATION RANGE: 3.30-5.08[.130-.200] DIA.
- 3. DIMENSIONS IN BRACKETS ARE IN INCHES.
- 4. 0.00076[.000030] MIN GOLD AT POINT OF MEASUREMENT IN THE LOCALIZED GOLD PLATE AREA, 0.00127[.000050] MIN MATTE TIN IN MATTE TIN PLATE AREA, 0.00127[.000050] MIN NICKEL UNDERPLATE ON ENTIRE CONTACT.



| FINISH | MATERIAL | PART NUMBER |
|---------|-------------------|-------------|
| GOLD 4 | 0.30[.012] PH BRZ | 1-770006-0 |
| GOLD 1 | 0.30[.012] PH BRZ | 770006-4 |
| PRE-TIN | 0.30[.012] PH BRZ | 770006-3 |

| | | | | |
|--|------------------|-------------------------|-------------------------------------|-----------------|
| THIS DRAWING IS A CONTROLLED DOCUMENT. | | DWN S.CARPENTER 11AUG03 | STE TE Connectivity | |
| DIMENSIONS: mm [INCHES] | | CHK C.JONES 11AUG03 | | |
| TOLERANCES UNLESS OTHERWISE SPECIFIED: | | APVD C.JONES 11AUG03 | NAME | |
| 0 PLC ± - | 1 PLC ± - | PRODUCT SPEC | SOCKET, UNIVERSAL MATE-N-LOK(TM) II | |
| 2 PLC ± - | 3 PLC ± - | APPLICATION SPEC | SIZE A2 | CAGE CODE 00779 |
| 4 PLC ± - | ANGLES ± - | WEIGHT - | DRAWING NO C=770006 | RESTRICTED TO - |
| MATERIAL SEE TABLE | FINISH SEE TABLE | CUSTOMER DRAWING | SCALE 4:1 | SHEET 1 of 1 |
| | | | REV G1 | |

